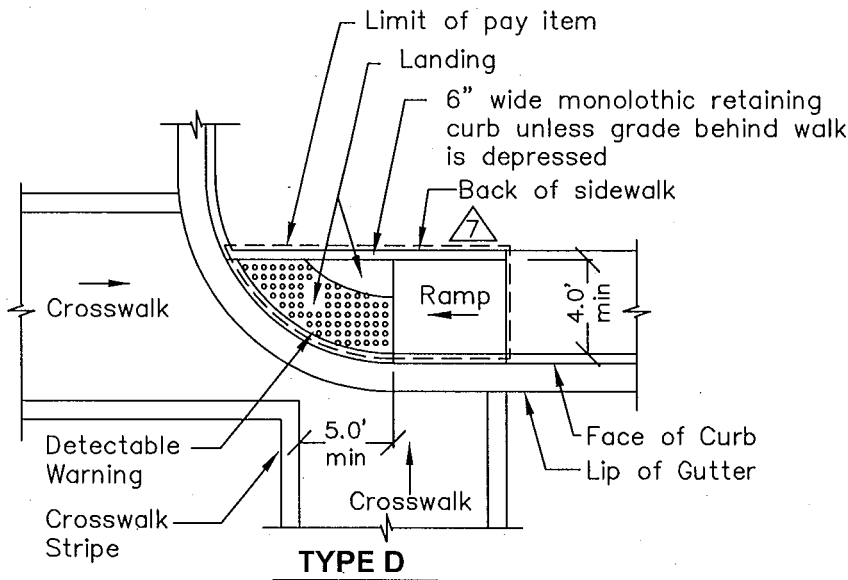
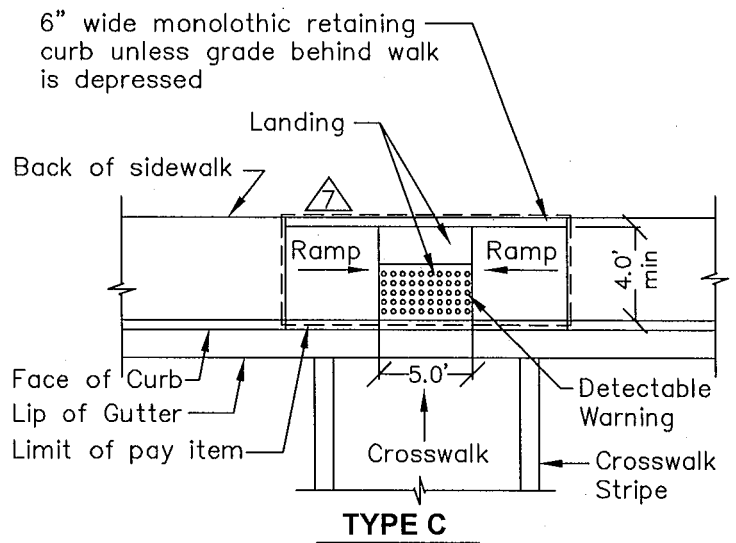
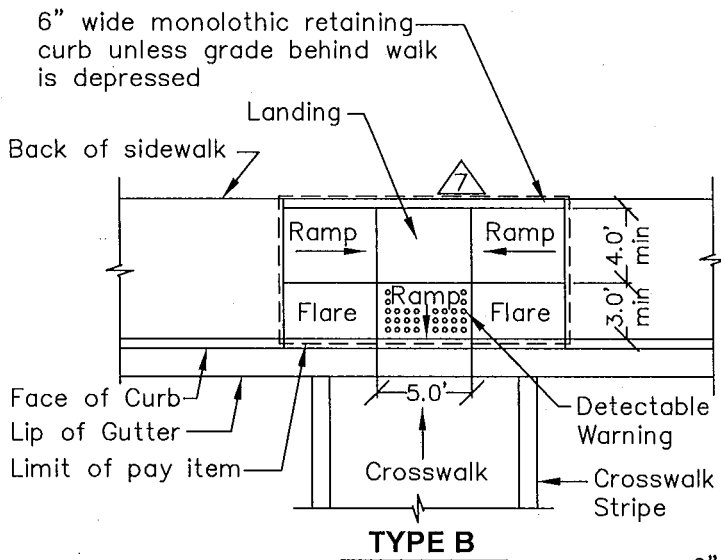


Notes:

1. All work shall be done in accordance with notes on Dwg 106A, 106C, and 106D.




ACAD FILE NO. C3101D108A Rev7.DWG

CITY OF SAN LEANDRO * STANDARD PLANS

NO.	REVISIONS	DATE	BY
Δ	Removed "Grooved Border" changed "Pay Limit Item" location	4/17/17	NT

**WHEELCHAIR CURB CUT RAMP
TYPE B, C, & D**

APPROVED

 Nick Thorn, City Engineer R.C.E. No.54659
 Expires 12/31/17

DRAWN	GF/MLWH/VL	CHECKED	KJ/KRC	DATE	June 2004	SCALE	NONE	SHEET	2 OF 4	DWG. NO.	106B	CASE.	3101
-------	------------	---------	--------	------	-----------	-------	------	-------	--------	----------	------	-------	------