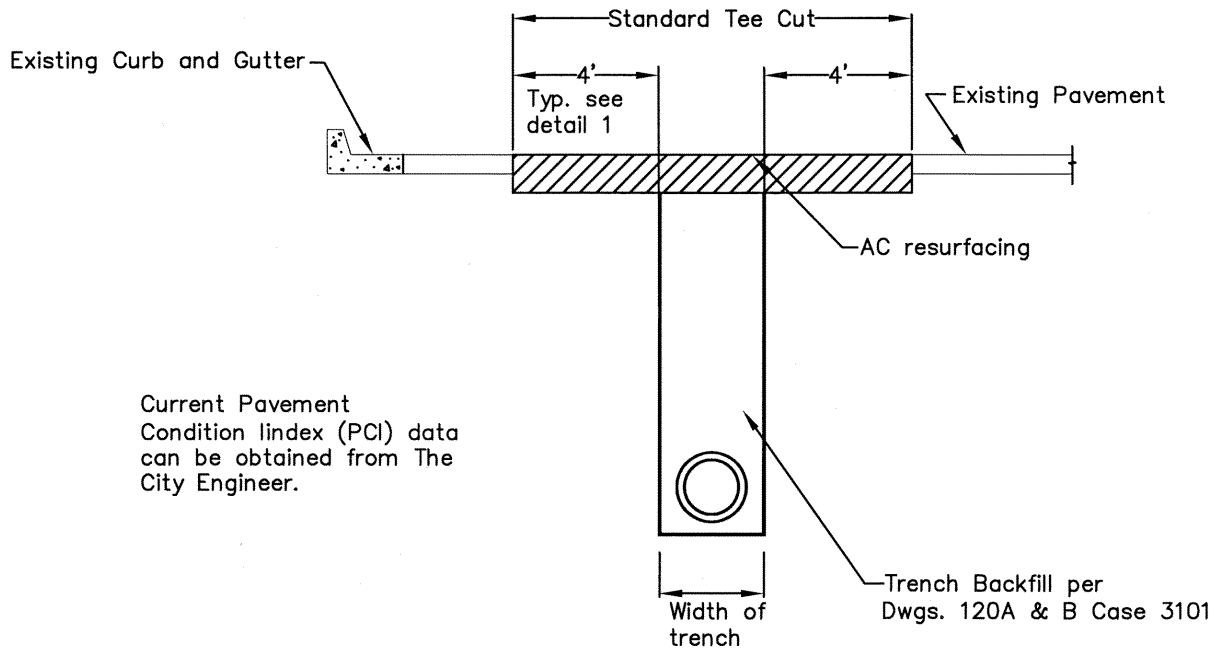


DETAIL 1

All excavations in AC pavement with PCI < 85 except cores of 12" diameter or less



Current Pavement Condition Index (PCI) data can be obtained from The City Engineer.

DETAIL 2

Longitudinal Trenches (parallel to traffic lanes) in AC pavement with PCI >= 85

ACAD FILE NO. C3101D122ABC Rev2.DWG

CITY OF SAN LEANDRO * STANDARD PLANS

NO.	REVISIONS	DATE	BY	APPROVED
2	Changed name "Trench Resurfacing" Revised drawings & notes for Details 1 & 2	12/8/08	NT	<i>[Signature]</i> Kenneth Joseph, City Engineer R.C.E. No.34870 Expires 9/30/09
<p>EXCAVATION RESURFACING</p>				<p>DWG. NO. <u>122A</u> CASE. <u>3101</u></p>
DRAWN	GF/MLWH/VL	CHECKED	KJ/KRC	DATE
				May 2002
			SCALE	NONE
			SHEET	1 OF 3